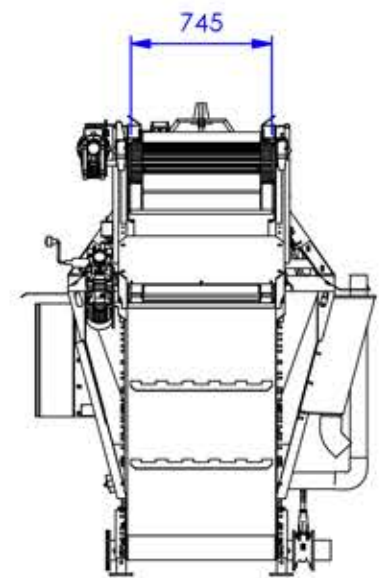
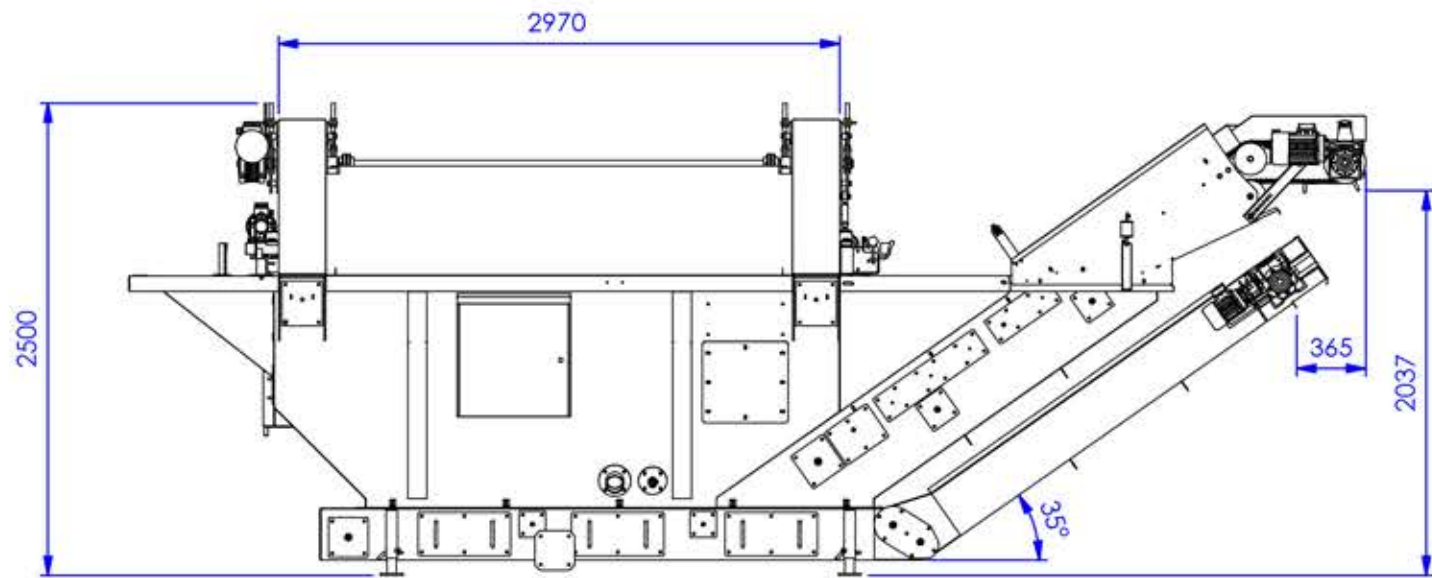
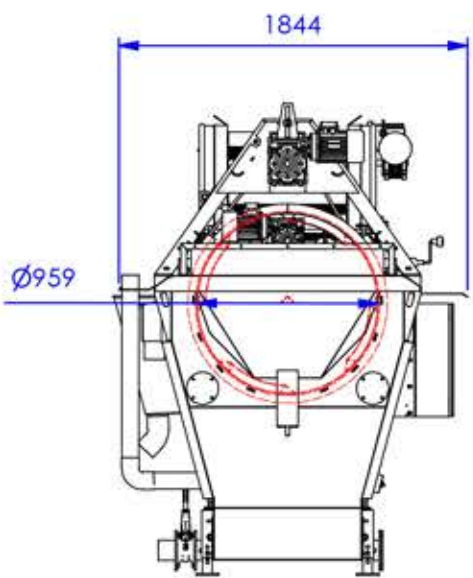
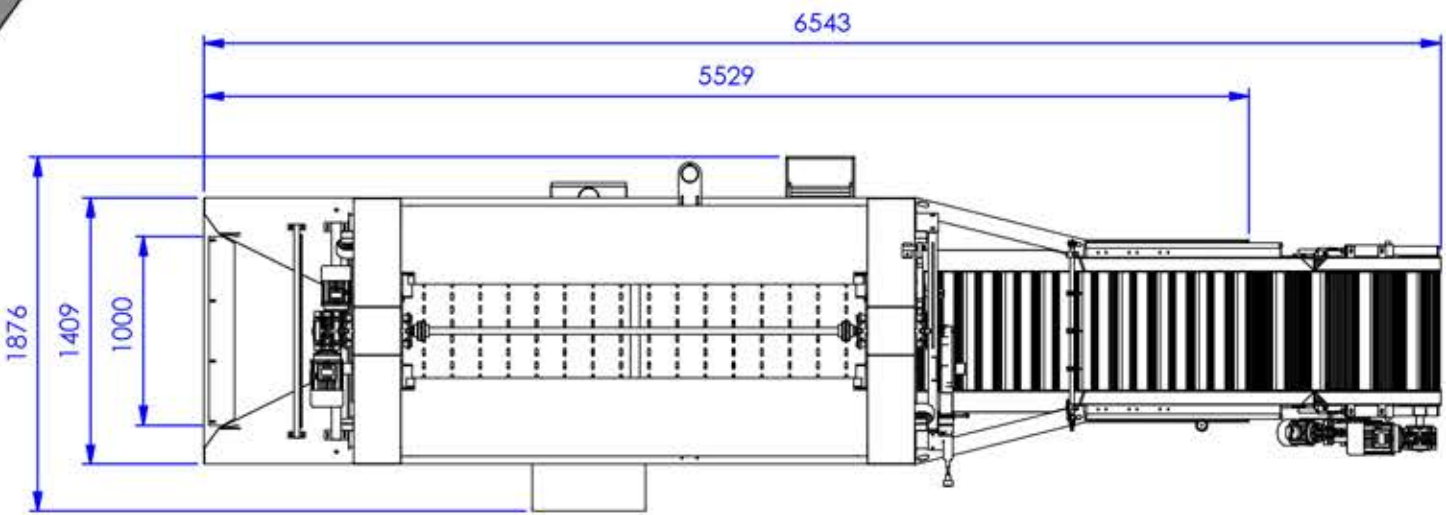
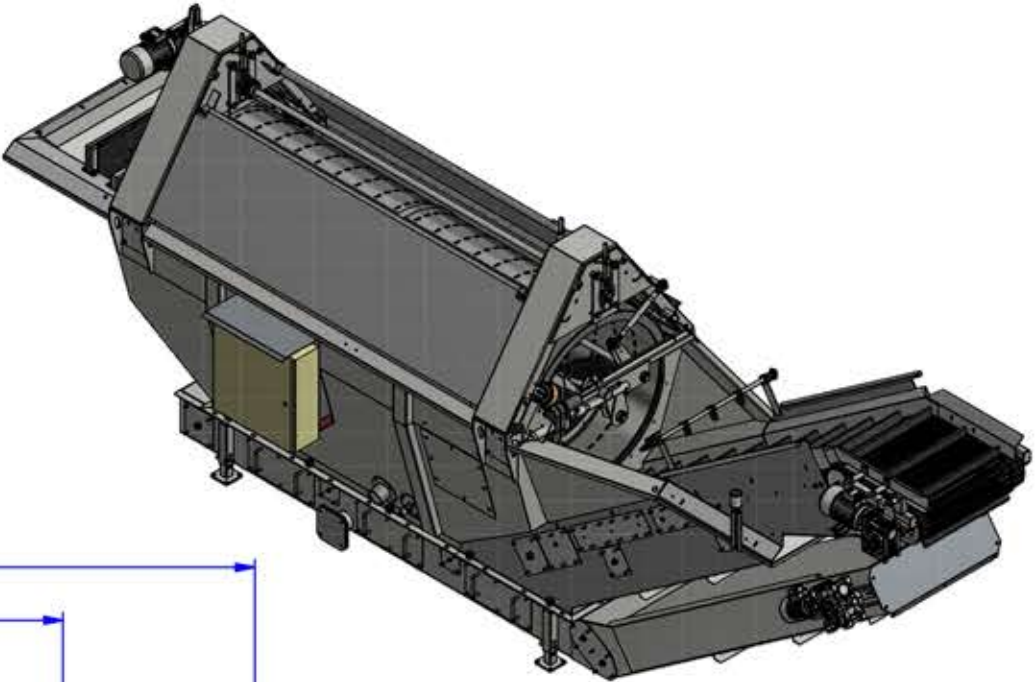
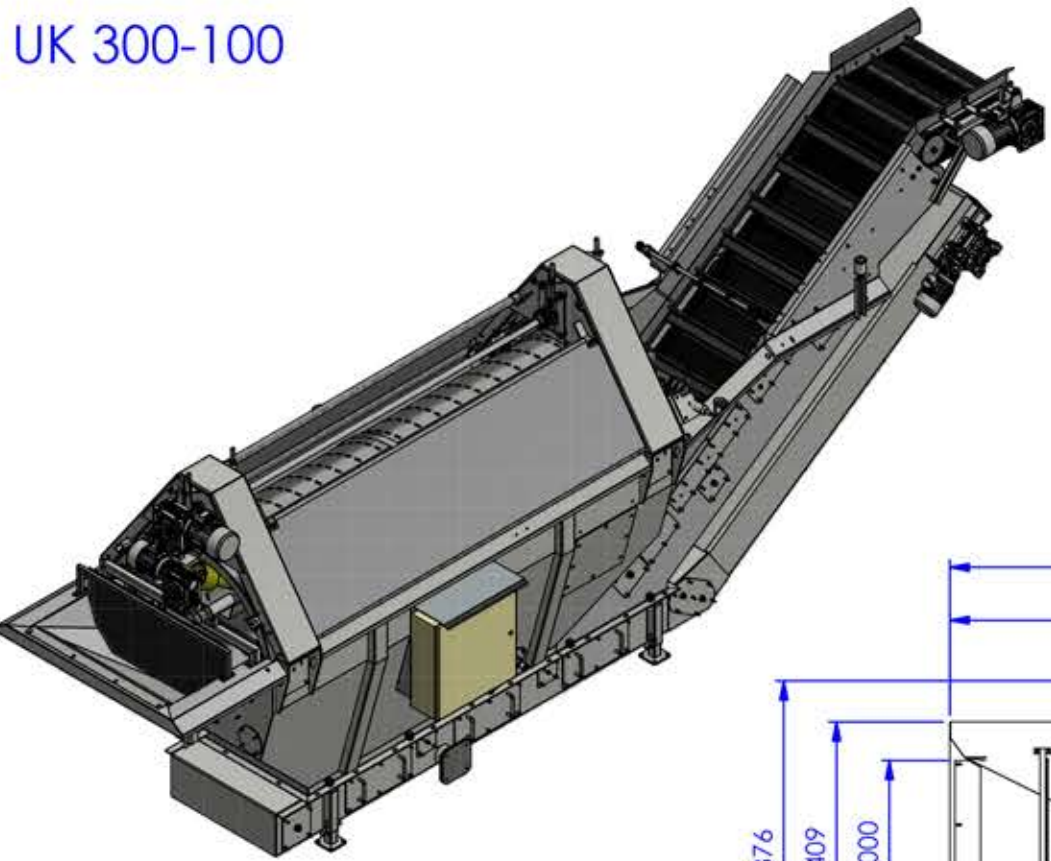


UK 300-100



For discussion only!
 The dimensions are approximately.
 We are free to resize and change the machines,
 when we deem it necessary.

Tol principle: ISO 8015	General tolerances: ISO 20768	Fit system: ISO 286	Geometrical tolerancing: ISO 1101	
Project: Washing machine				
Description: UK 300-100				
Surface:				
Engineer: SRPL	Scale: 1 : 40	00042226		
Date: 14-6-2019	Sheet size: A3			Revision: 00
Unit: mm	Sheet: 1 of 9			

